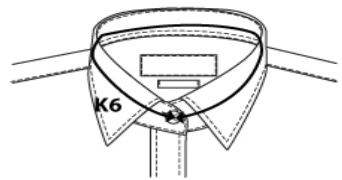
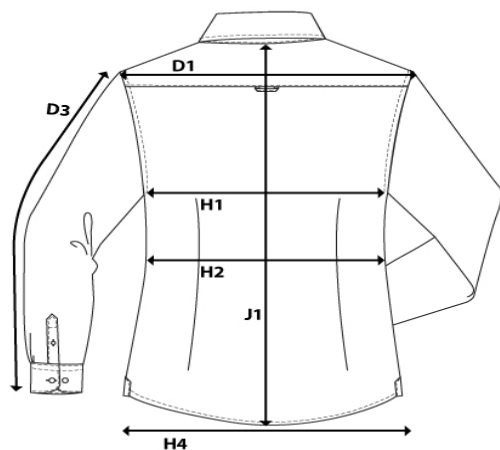


TORRANCE SLIM FIT *Mens*

Base size: M / Measurement (in cm)	Diagram	S	M	L	XL	XXL	3XL	4XL
COLLAR neck line CF to CF	K6	40,5	42	43,5	45	46,5	48	49,5
SLEEVE LENGTH from shoulder seam	D3	66	67	69	71	73	75	75
CHEST WIDTH at armhole	H1	52	54	56	59	62	65	68
WAIST	H2	49,5	51,5	53,5	56,5	59,5	62,5	65,5
BOTTOM WIDTH	H4	52	54	56	59	62	65	68
FULL LENGTH at centre back	J1	75	77	79	81	83	85	85

TORRANCE MODERN FIT *Mens*

Base size: M / Measurement (in cm)	Diagram	S	M	L	XL	XXL	3XXL
COLLAR - neckline CF to CF	K6	40,5	42	43,5	45	46,5	48
SLEEVE LENGTH from shoulder seam	D3	66,5	68	69,5	71,5	73,5	75,5
CHEST WIDTH at armhole	H1	54	56	58	61	64	67
WAIST	H2	52	54	56	59	62	65
BOTTOM WIDTH	H4	53	55	57	60	63	66
FULL LENGTH at centre back	J1	74	76	78	80	82	84



TORRANCE *Ladies*

Base size: M / Measurement (in cm)	Diagram	XS	S	M	L	XL	XXL	3XL
COLLAR - neck line from CF to CF	K6	36	37	38	39	40	41	42
SLEEVE LENGTH from shoulder seam	D3	62	63	64	65	66	67	68
CHEST WIDTH at armhole	H1	46	47	50	53	56	60	64
WAIST	H2	38	42	44	47	50	54	58
BOTTOM WIDTH	H4	45	48	51	54	57	61	65
FULL LENGTH at centre back	J1	63	65	68	70	72	75	77